



Discharge

Canopy Fittings

Description

A range of surface and recessed canopy fittings available in two sizes, many lamp types and wattages to suit most applications. Choose from three styles of diffuser - Triumph lens, prismatic sheet and toughened glass (flat toughened glass is supplied as standard) - to best suit your application. We can now also offer a recessed rear access version to suit even more applications.

IP Rating

IP 54

Construction

A fabricated sheet steel body, polyester powder coated white, which houses a removable gear tray and a high purity aluminium reflector. The diffuser is held in place by a removable trim, which is in turn screwed to the fitting and sealed with foam.



Product Range

Lamp Type	Wattage	Size of Fitting
MBFU	80 & 125 watt	400 x 400
	250 & 400 watt	600 x 600
SON	70 & 150 watt	400 x 400
	250 & 400 watt	600 x 600
HQI	70 & 150 watt	400 x 400
	250 & 400 watt	600 x 600

all are available as recessed or surface fittings

Accessories

Part Number	Description	For use with
LRM	Lamp Recognition Monitor	All
	* For use with 200w Single Ended T Halogen lamp	
EM	3 Hour Maintained Emergency on additional 26w PLC Lamp	600x600 fittings only

*Not supplied

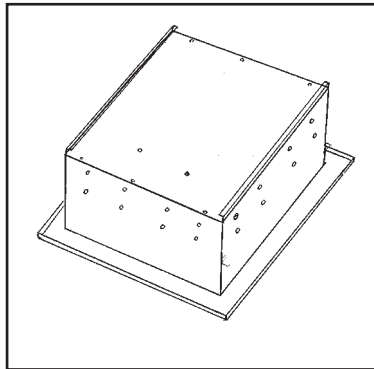
Canopy Fittings

Features

- Choice of diffuser
- Philips Lamp and Control Gear
- Many Lamp Options
- Available in two sizes
- Recessed and Surface
- Rear Access Version

Applications

- Petrol Forecourts
- Sports Halls
- Food Processing areas
- Railway Stations



Ordering Details

Part Number	Dimensions	Description
CAN480M	400 x 400	80 watt MBFU Canopy
CAN412M	400 x 400	125 watt MBFU Canopy
CAN625M	600 x 600	250 watt MBFU Canopy
CAN640M	600 x 600	400 watt MBFU Canopy
CAN470S	400 x 400	70 watt Son Canopy
CAN415S	400 x 400	150 watt Son Canopy
CAN625S	600 x 600	250 watt Son Canopy
CAN640S	600 x 600	400 watt Son Canopy
CAN470H	400 x 400	70 watt HQI Canopy
CAN415H	400 x 400	150 watt HQI Canopy
CAN625H	600 x 600	250 watt HQI Canopy
CAN640H	600 x 600	400 watt HQI Canopy

Please specify Recessed 'R', Surface 'S' or Rear Access 'RA'

Dimensions

Recessed

Fixed via side arm suspension brackets or screwed rod

Part No	Back Box	Depth	Body Flange	Frame Size	Cut Out
CANR400	290	200	380	400	330
CANR600	540	250	630	650	590

Rear Access

Part No	Back Box	Depth	Frame Size	Cut Out
CANR600	600	320	670	620

Surface

Part No	Body	Depth	Fixing Centres
CANS400	350 sq	210	4 Holes 240 x 240
CANS600	620 sq	265	4 Holes 400 x 400

Lowbays

Description

Suitable for wide range of applications where high light levels are required. For mounting via hooks or onto conduit trunking. Can also be incorporated into a tee ceiling.

IP Rating

IP 20

Construction

Fabricated sheet steel body, which is welded and powder coated. Gear is mounted on a removable gear tray with an in-line fused connector. Reflector is manufactured from embossed high purity aluminium.

PLL Lowbays

The construction is the same as the discharge lowbays above but the gear tray incorporates the lamps and reflectors. We use a standard terminal block. The unit can have a 3 hour emergency pack fitted to one lamp which is housed in a separate gear pod screwed to the end of the body.



Product Range

Lamp Type	Wattages
SON	150, 250, 400 & 600 watt
MBFU	250 & 400 watt
HQI	250 & 400 watt
PLL	3 x 55w & 4 x 55w

Accessories

Part Number	Description	For use with
LB DIFF	Polycarb Dished Diffuser	150 & 250 watt
LB GLASS	Toughened Glass Cover	All - must be used with HQI
LB LOW	White Steel Louvre	All
LB-REF-HR	High Rack Reflector	250, 400 & 600 watt
LB GUARD	Wire Guard	All
LB PCGL	Polycarbonate sheet with toughened glass in special lowbay dims remain same	250 & 400 watt
LRM	Lamp Recognition Monitor	All Discharge Fittings
	For use with 200w Single Ended T Halogen lamp*	

*Not supplied

Lowbays

Features

- Fused in-line connector
- Removable Gear Tray
- High efficiency
- Low running costs

Applications

- Factories
- Warehouses
- Sports Halls
- Plant Propagation



Ordering Details

Part Number	Description
LOBY150SON	150 watt Son Lowbay c/w Lamp
LOBY250SON	250 watt Son Lowbay c/w Lamp
LOBY400SON	400 watt Son Lowbay c/w Lamp
LOBY250MBF	250 watt MBF Lowbay c/w Lamp
LOBY400MBF	400 watt MBF Lowbay c/w Lamp
LOBY250HQI	250 watt HQI Lowbay c/w Lamp
LOBY400HQI	400 watt HQI Lowbay c/w Lamp
LOBY3PLL55	3 x 55 watt PLL Lowbay c/w Lamps
LOBY4PLL55	4 x 55 watt PLL Lowbay c/w Lamps

Dimensions

Part No	Length	Width	Height	Fixing Centres
LOBY	590	290	175	Besa @ 400mm
LOBY-PLL	605	450	120	Besa @ 300mm
				4 Holes 250 x 400mm

Highbays



Description

We offer a large range of highbays to suit most warehouse and retail applications. We have fabricated steel and spun aluminium bodies which can be married to either aluminium spun reflector or prismatic reflector.

Features

- Low running costs
- Many Options
- Tungsten Halogen Instant Light facility available

Applications

- Warehouses
- Factories
- Food Factories
- Retail Outlets

Highbays

Construction & Accessories

Description	Construction
Fabricated Bodies	Manufactured from sheet steel and powder coated as standard, white
Aluminium Reflector	Spun high purity aluminium which is satin finish anodised
Prismatic Reflector	Clear acrylic prismatic reflector Available in three sizes, but dependant on lamp choice



Accessories

Part Number	Description	For use with
HB GLASS	Glass Cover	Aluminium reflector only
HB GUARD	Wire Guard	All - Not in conjunction with glass
HB-COVER-PC	Polycarbonate Cover	Not 12" Prismatic Reflector
LRM	Instant Light Facility	Aluminium & 22" Prismatic Reflector



Please note all fittings with 12" Prismatic reflector use open fixture rated lamps, if a cover is required on 150w HQI then the 16" reflector option must be used.

Highbays

Range

Five combinations of body and reflector are available please see table below for appropriate gear options.

Small Spun Body 12" Prismalux Reflector	Large Spun Body 16" Prismalux Reflector	Large Spun Body 22" Prismalux Reflector	Large Spun Body Aluminium Reflector	Fabricated Body Aluminium or 22" Prismalux Reflector
42w PLT	150w HQI	400w HQI	250w HQI	150w HQI
2 x 42w PLT	250w HQI	400w SON	250w SON	250w HQI
57w PLT	250w SON	400w MBF	250w MBF	400w HQI
2 x 57w PLT	250w MBF		400w HQI	250w SON
70w HQI			400w SON	400w SON
150w HQI			400w MBF	250w MBF
70w CDMT				400w MBF
150w CDMT				

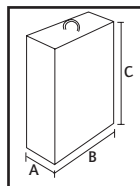
Ordering Details

Please prefix the above gear options with the following

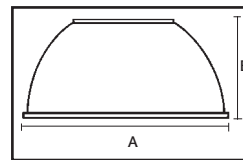
Small Spun Body & 12" Prismalux Reflector	HBS-S	eg HBS-S-70HQI
Large Spun Body & 16" Prismalux Reflector	HBS-M	eg HBS-M-150HQI
Large Spun Body & 22" Prismalux Reflector	HBS-L	eg HBS-L-400SON
Large Spun Body & Aluminium Reflector	HBS-A	eg HBS-A-400MBF
Fabricated Body & Aluminium Reflector	HB	eg HB400MBF
Fabricated Body & 22" Prismalux Reflector	HB-L	eg HB-L-250SON

Dimensions

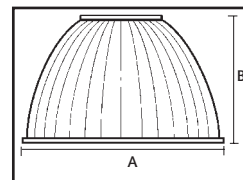
Part No.	A	B	C
1 Vertical Body	90	200	300
2 Spun Body (small)	165	225	
2 Spun Body (large)	196	235	
A RFT-HB	520	240	
B RFT-812	300	190	
RFT-816	400	270	
RFT-822	516	340	



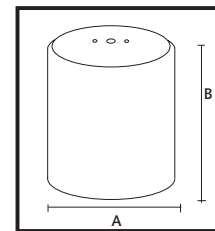
1



A



B



2