



# Surface Compact Fluorescents

# Utility Bulkheads

## Description

A range of low energy bulkhead luminaires manufactured from our own tooling in the UK. Manufactured from polycarbonate - for strength and polypropylene for economy. We use only the finest plastics to ensure a consistent high quality light output. Our 28 watt opal versions can give as much light output as some of our competitors 38 watt versions.

## Construction

Injection moulded polycarbonate or polypropylene base and diffuser. Pressed steel removable gear tray with four fixings, meeting CE & EN 60598. 'M' versions have a steel spun base.



## Product Range

<b>Part Number</b>	<b>Lamp Options</b>			
KL030P	16 w 2D	28 w 2D		
KL030	16 w 2D	21 w 2D	28 w 2D	38 w 2D
KL030M	16 w 2D*	28 w 2D*	38 w 2D	

\* Indicates available with Integral Emergency

## IP Rating

KL030P	Polypropylene	IP44
KL030	Polycarbonate	IP54
KL030M	Polycarbonate Diffuser & Spun Metal Base	IP20

## Options

<b>Part Number</b>	<b>Description</b>	<b>For use with</b>
HF	High Frequency Control Gear	All

# Utility Bulkheads

## Features

- High Light Output
- Removable Gear Tray
- Integral Emergency Versions available
- Attractive Economic Package

## Applications

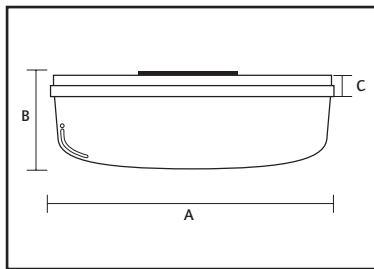
- Schools & Colleges
- Store Room
- Corridors
- Hotels

## Ordering Details

Part Number	Description	
KL030P-2D6	16 w 2D	Polypropylene
KL030P-2D8▲	28 w 2D	Polypropylene
KL030-2D6	16 w 2D	Polycarbonate
KL030-2D8	28 w 2D	Polycarbonate
KL030-2D38	38 w 2D	Polycarbonate
KL030M-2D6	16 w 2D	Polycarb & Metal
KL030M-2D6-3HM	16 w 2D	C/w 3hr Emergency
KL030M-2D8	28 w 2D	Polycarb & Metal
KL030M-2D8-3HM	28 w 2D	C/w 3 hr Emergency
KL030M-2D38	38 w 2D	Polycarb & Metal

▲ Not suitable for 24hr operation at 25°C

All versions have removable gear tray



## Dimensions

Part Number	A	B	C	F/C
KL030	295	130	40	BESA
KL030P	295	130	40	BESA
KL030M	295	130	40	3 Holes 230 PCD

# Maxilux Vandal Resistant Bulkheads

## Description

Rugged exterior and interior vandal resistant low energy bulkhead luminaires with IP65 protection. The ALL polycarbonate construction has features such as removable gear tray and positive hollow seal and the option of Torx screws. This is the luminaire for those vandal and weather exposed applications.



## Features

- All polycarbonate construction
- IP65 Protection
- Thick clear prismatic diffuser
- Slim Design

## Applications

- Exterior security lighting
- Public Toilets
- Prisons
- Utility Areas

## Product Range

Lamp	Wattages
2D	16, 28 and 38 watt

## Options

Part No	Description	For use with
TORX	Torx Security Screws	All Models
HF	High Frequency Control Gear	All 2D Options
		2 x PLL18

# Maxilux Vandal Resistant Bulkheads

## Construction

All polycarbonate injection moulded housing with steel post painted gear tray on 4 fixings. Silicone extruded seal clamped via 2 fixings on the diffuser. Diffuser is clear prismatic polycarbonate.

## Ordering Details

Part Number	Description
KL031-2D6	16 w 2D c/w lamp
KL031-2D8	28 w 2D c/w lamp
KL031-2D38	38 w 2D c/w lamp

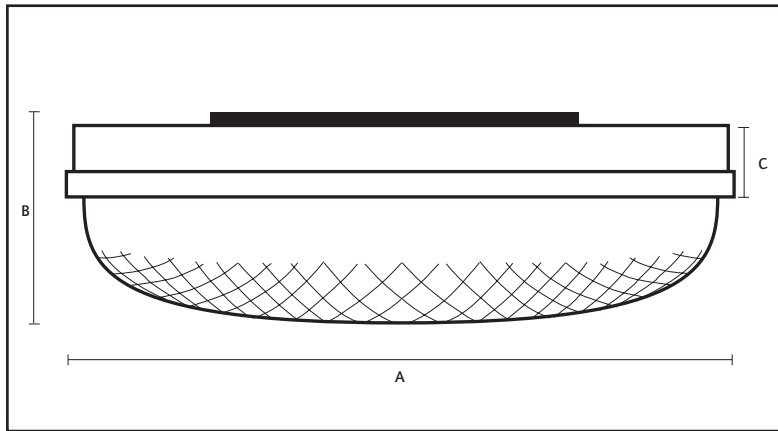
## IP Rating

KL031 Polycarbonate

IP65

## Dimensions

Part Number	A	B	C	F/C
KL031	290	90	40	Besa



# Gemini

## Description

As a complement to our lumiline and monocle ranges the Gemini which is available in two sizes offers a back light to give extra illumination and effect. Integral low energy control gear and emergency ( not all models) improves further its flexibility.

## Applications

- Stairwells
- Entrance Lobbies
- Corridors
- Doctors Surgeries

## Features

- Stylish Design
- Back Light
- Can be used as a pendant



## IP Rating

IP 20

## Construction

Spun steel front and gallery with opal polycarbonate diffuser and rear back light diffuser.

# Gemini

## Dimensions

	A	B	C
KL480	482	392	108
KL550	567	458	108

## Range and Ordering Details

Part Number	Description
KL480-G-2D8	28 w 2D c/w Lamp
KL480-G-2D8-EM	28 w 2D c/w Emergency & Lamp
KL480-G-2D38	38 w 2D c/w Lamp
KL480-G-2038-EM	38 w 2D Emergency & Lamp
KL550-G-2D8	28 w 2D c/w Lamp
KL550-G-2D8-EM	28 w 2D c/w Emergency & Lamp
KL550-G-2D38	38 w 2D c/w Lamp
KL550-G-2D38-EM	38 w 2D c/w Emergency & Lamp
KL550-G-2D55	55 w 2D c/w Lamp
KL550-G-2D55-EM	55 w 2D c/w Emergency & Lamp
KL550-G-2PLL24	2 x 24 w PLL c/w Lamps

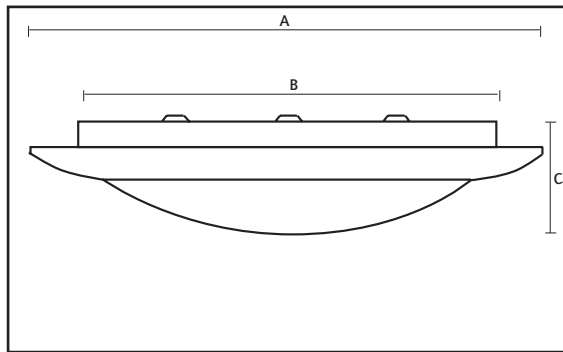
Front Spinning can be Brass, Chrome or White

add the following suffixes to Part Numbers

WH White

BS Brass

CH Chrome



## Lumiline Range



### Description

A range of slim stylish luminaires incorporating many features which make their application possibilities endless. We manufacture four sizes (one in two styles) to incorporate the most popular compact light sources, with each version housing an integral emergency.

For applications requiring either to semi recess the Lumiline or where the fittings need to be wired via 20mm conduit the KL425 has an amended profile which allows for the above applications. The dimensions of the fitting remain the same as the KL420 so can be mixed in with these products on applications.

### Features

- Tough polycarbonate & steel construction
- Removable gear tray
- Wide range of lamp sources
- Integral emergency options

# Lumiline Range

## Applications

- Nursing Homes / Hospitals
- Schools & Colleges
- Office Corridors
- Entrance Lobbies

## IP Rating

IP20

## Construction

Spun steel base with polycarbonate prismatic or opal diffuser fixed via steel spring clips. White, brass or chrome finish. All gear options mounted on removable gear tray for ease of maintenance. The diffuser requires a special tool for removal, this provides an additional security feature.

## Product Range

Part Number	Lamp Options			
KL325	16 w 2D	28 w 2D		
KL380	28 w 2D <sup>†</sup>	38 w 2D	2 x 18PLL	
KL420	28 w 2D <sup>†</sup>	38 w 2D <sup>†</sup>	2 x 18PLL <sup>†</sup>	
KL425	28 w 2D <sup>†</sup>	38 w 2D <sup>†</sup>		
KL525	38 w 2D <sup>†</sup>	55 w 2D <sup>†</sup>	2 x 24PLL <sup>†</sup>	3 x 24PLL

<sup>†</sup> Available with Integral Emergency

Available in white, brass or chrome finish

## Options and Accessories

Part Number	Description	For Use With
HF	High Frequency Gear	All
HFD*	High Frequency Dimmable Gear	Not 16 or 21 w 2D
SS	Separate Switching	2 & 3 x PLL only
NL	Nite Light Facility	7 w PL Standard
EM3	3 Hour Maintained Emergency	<sup>†</sup> Indicated
RK	Recessing Kit or Trim	All

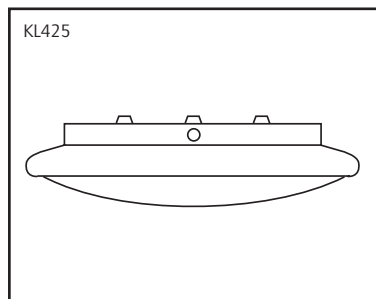
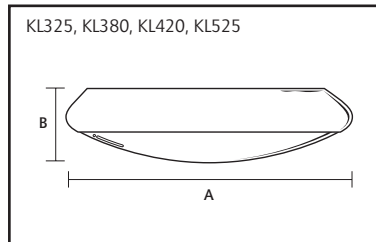
\* For more details on dimming fluorescent luminaires see page 18

<sup>†</sup> Available with Integral Emergency

# Lumiline Range

## Ordering Details

Part Number	Description	Options
KL325-2D6	16 w 2D c/w lamp	HF & NL
KL325-2D8	28 w 2D c/w lamp	HF
KL380-2D8	28 w 2D c/w lamp	HF, NL & 3HM
KL380-2D38	38 w 2D c/w lamp	HF
KL380-2PLL18	2x18 w PLL	HF & SS
KL420-2D8	28 w 2D c/w lamp	HF, NL & 3HM
KL420-2D38	38 w 2D c/w lamp	HF, NL & 3HM
KL420-2PLL18	2x18 w PLL	HF, SS & 3HM
KL425-2D8	28 w 2D c/w lamp	HF, NL & 3HM
KL425-2D38	38 w 2D c/w lamp	HF, NL & 3HM
KL525-2D38	38 w 2D c/w lamp	HF, NL & 3HM
KL525-2D55	55 w 2D c/w lamp	SS & EM
KL525-2PLL24	2x24 w PLL	HF, NL, SS, EM
KL525-3PLL24	3x24 w PLL	HF & SS



## Dimensions

Part Number	A	H	F/C
KL325	325	90	3 Holes 180 PCD & Besa
KL380	380	90	3 Holes 240 PCD & Besa
KL420	420	90	3 Holes 240 PCD & Besa
KL425	425	90	3 Holes 240 PCD & Besa
KL525	525	90	3 Holes 220 PCD & Besa