

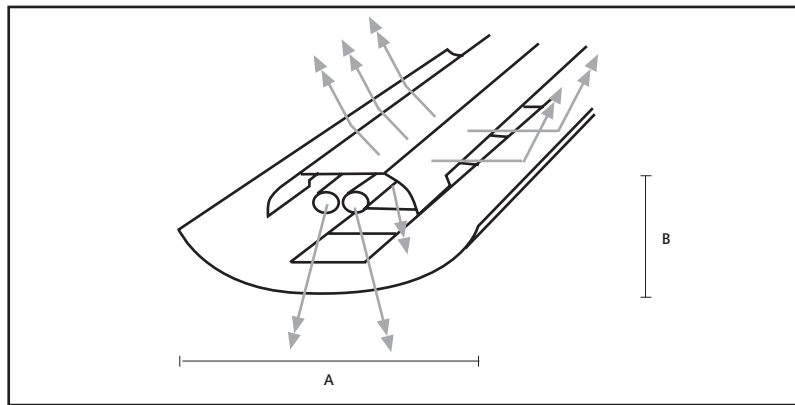
# Surface Modules



# Versilus

## Description

A surface, semi recessed category 2 indirect direct curved modular. This unique luminaire is our answer to the new category 2 conundrum. The luminaire has been painstakingly developed to provide a single fitting solution to the new recommendations. The luminaire is based around our super efficient T5 category 2 louvre system with 70 % DLOR. This has been housed in a curved fronted shell to give a aesthetically pleasing appearance. Part of the output is channelled to the outer edges and reflected on the ceiling giving the required illumination on this element. A further option the wings can be perforated to give additional light to the office walls.



## Construction

A precision formed fabricated sheet steel body. Iron phosphate treated then epoxy polyester powder coated in a range of colours. The louvre is accurately formed with CNC machines to precise dimensions to ensure consistent performance from high quality anodised aluminium. The louvre is fixed via bespoke spring fixings.

The luminaire can be surface mounted or semi recessed in standard T ceilings this allows minimum intrusion in to the workspace and optimal performance. The unit is available in two widths, 600 or 300 mm. It offers a wide range of solutions for many applications in one to four lamp versions.

## Range

CTL5128C2	1 x 28 watt T5 Cat 2
CTL5154C2	1 x 54 watt T5 Cat 2
CTL5228C2	2 x 28 watt T5 Cat 2
CTL5254C2	2 x 54 watt T5 Cat 2
CTL5314C2	3 x 14 watt T5 Cat 2
CTL5414C2	4 x 14 watt T5 Cat 2

## Options

HFD*	High frequency dimmable control gear
EM3	3 hour maintained integral emergency
SUS-W	Catenary wire support kit
CTL600	600 mm x 600 blank modules
CTL300	300 mm x 1200 blank module

\* For more details on dimming fluorescent luminaires see page 18

## Dimensions

	A	B	L
CTL5128C2	280	70	1270
CTL5154C2	280	70	1270
CTL5228C2	280	70	1270
CTL5254C2	280	70	1270
CTL5314C2	595	70	595
CTL5414C2	595	70	595

## Surface Luminaires

### Description

Our modular design for this range allows optimum efficiency, incorporating many user friendly features to enhance its flexibility and usability. Three different widths are manufactured in lengths upto 1800mm, accepting linear T8 and PLL lamps. All produce aesthetically pleasing and efficient luminaires. Standard attachments are low glare, category two louvres and standard (TPb) or fire rated (TPa) prismatic panels.

### IP Rating

IP20



# Surface Luminaires

## Product Range

Prefix	Lamp Types Available	F/C	A	B
FLSV33	28 & 38 w 2D 2 x 18PLL & 2 x PL11	2 Holes 220mm	325	325
FLSV66	3 x 18, 4 x 18 w T8	4 Holes 400 x 400	625	625
FLSV122	1 x 36 w T8	2 Holes 1000mm	225	1250
FLSV123	2 x 36 w T8	4 Holes 1000 x 150	325	1250
FLSV126	3 x 36, 4 x 36 w T8	4 Holes 1000 x 400	625	1250
FLSV152	1 x 58 w T8	2 Holes 1200mm	225	1550
FLSV153	2 x 58 w T8	4 Holes 1200 x 150	325	1550
FLSV182	1 x 70 w T8	2 Holes 1500mm	225	1825
FLSV183	2 x 70 w T8	4 Holes 1500 x 150	325	1825
FLSV186	3 x 70, 4 x 70 w T8	4 Holes 1500 x 400	625	1825

## Attachments and Options

Description	Suffix
Low Brightness Louvre with Fir Tree Cross Blade	LBX
Category Two Louvre	CT2
TPb Polystyrene Prismatic	PR
Tpa Fire Rated Prismatic	PFR
3 Hour Maintained Emergency Pack	EM
High Frequency Control	HF
High Frequency Dimmable Control Gear	HFD*

\* For more details on dimming fluorescent luminaires see page 18  
HFD not available for 70 watt lamps

## Construction

All zintec steel fabrication, 0.8mm thick with pressed steel endcaps, fully welded, polyester powder coated.

Constructed in a slim chamfered style. Switch start is standard control gear but high frequency and dimmable are all readily available. All units are 100% tested and meet CE and EN60598 standards.

## Features

- Slim Chamfered Design
- Sturdy Construction
- All Louvres fixed by wishbone springs
- Fused Terminal Block
- Power Factor Correction

## Applications

- Offices
- Sports Halls
- Hospitals
- Retail Outlets

## T5 Surface Profile

### Description

The profiled surface T5 is available in a single or twin lamp version with high efficiency or high output lamps either way it is supremely efficient, attractive and versatile. Options include an interconnecting system, uplight option, catenary wire fixing, dimming gear and integral emergency. The luminaire has a light output ratio of 70% giving the total efficiency demanded by today's users.

### Features

Super slim design  
Hidden fixings for louvre  
HF & HFD Gear  
High Efficiency 70% DLOR

### Applications

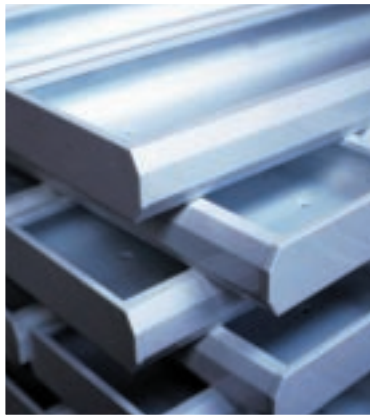
Schools & Colleges  
Public Buildings  
General Office lighting  
Entrance Foyers



# T5 Surface Profile

## Construction

Fabricated sheet steel construction welded and finished. The zintec steel is then iron phosphate pre-treated before polyester powder coating. The high frequency control gear is mounted on a separate tray, which is screwed into the body for ease of maintenance. The specular broad spread or category louvres are retained by wishbone springs. Several standard finishes are available RAL9003 gloss white, RAL9010 30% gloss or RAL 9006 silver. Any RAL or BS colour can be accommodated.



## Ordering Details

Part Number	Descriptions	Width	Height	Length
TL5S1X28	1 x 28 watt surface T5 Luminaire	155	70	1250
TL5S2x28	2 x 28 watt surface T5 Luminaire	195	70	1250
TL5S1X35	1 x 35 watt surface T5 Luminaire	155	70	1525
TL5S2X35	2 x 35 watt surface T5 Luminaire	195	70	1525
TL5S1X54	1 x 54 watt surface T5 Luminaire	155	70	1250
TL5S2X54	2 x 54 watt surface T5 Luminaire	195	70	1250
TL5S1X49	1 x 49 watt surface T5 Luminaire	155	70	1525
TL5S2X49	2 x 49 watt Surface T5 Luminaire	195	70	1525

## Options

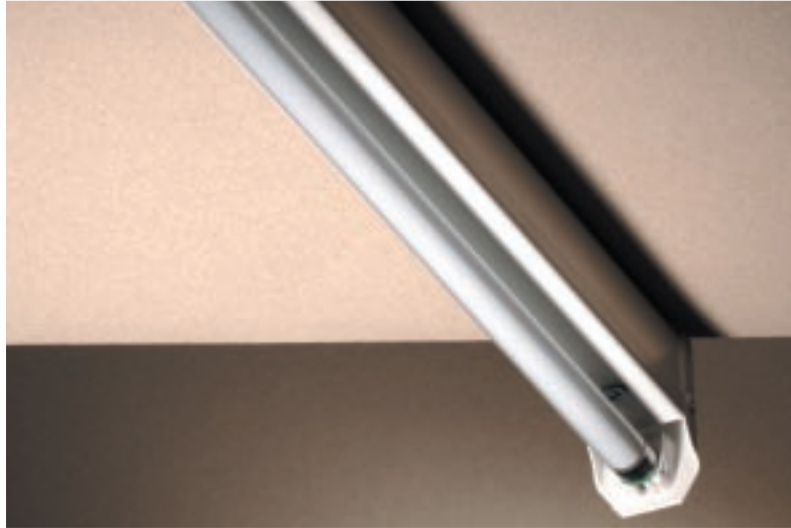
CT2	Category Two louvre on Wishbone Springs
LBX	Low Brightness Louvre on Wishbone Springs
HFD*	High Frequency Dimmable Control Gear
EM3	3 Hour Maintained Integral Emergency
CON3	3 Pole In-line Connector on Flying Lead

\* For more details on dimming fluorescent luminaires see page 18

## T5 Batten Range

### Description

Our new range of slim line T5 battens is available in single or twin format. The luminaire was designed to have in-line connectors or to be directly wired on an individual basis. The slim line nature of the fitting allows a wide range of applications. Utilising the latest high frequency warm start ballasts these units run cool and silently.



### Construction

Sheet steel fabricated body post painted in epoxy polyester RAL 9003 (white); HF gear is directly fixed into the slim line body. The batten is terminated either by Standard Terminal Block or Wieland compatible plug or socket mounted on to a three core flex of approximately 100mm.



# T5 Batten Range

## Applications

Under Cabinet Lighting  
Retail Cabinets  
Shelving Systems  
Pelmet Lighting

## Features

Super Slim Profile  
Silent HF Operations  
In-line Connector  
20,000 hour lamp life



## Options

HFD High Frequency Dimmable Ballast  
BKT Fixing Brackets

Various lamp colours are available 830, 835, 840, 865, please specify your choice when ordering.

## Ordering Details

Part Number	Description	Length
BT121	1 x 21 watt T5 Batten	875mm
BT221	2 x 21 watt T5 Batten	875mm
BT128	1 x 28 watt T5 Batten	1178mm
BT228	2 x 28 watt T5 Batten	1178mm
BT135	1 x 35 watt T5 Batten	1478mm
BT235	2 x 35 watt T5 Batten	1478mm

The above are standard high frequency lamps; high output versions can be supplied in the relevant lengths. 21w HE = 39 w HO, 28 w HE = 54 w HO, 35 w HE = 49 w HO

## Non-Corrosive IP65 Fittings

### Description

A range of environmentally sealed non-corrosive fittings available with a range of control gear, switch start, high frequency, high frequency dimmable or 110v AC. We can also incorporate emergency in all fittings. Available in 2', 4', 5' and 6' versions in single and twin lamp. We also have either acrylic or polycarbonate diffusers.



# Non-Corrosive IP65 Fittings

## Construction

A tough reinforced GRP base with pressed steel, post painted gear tray with a neoprene gasket and either an acrylic or polycarbonate injection moulded prismatic diffuser. The gear is directly fixed to the gear tray and incorporates a fused terminal block. All components are British Standard or European equivalent approved. All assembly is in accordance with EN60598.01. Each unit is individually boxed.



## Range and Ordering Details

Part Number	Description
NC2	1 x 18 watt
NC22	2 x 18 watt
NC4	1 x 36 watt
NC24	2 x 36 watt
NC5	1 x 58 watt
NC25	2 x 58 watt
NC6	1 x 70 watt
NC26	2 x 70 watt

The standard part numbers as above are for switch start control gear and acrylic lenses.

## Options

HF	High Frequency Gear
HFD*	High Frequency Dimmable Gear
EM	Integral Emergency Gear
110v	110v switch start Gear
PC	Polycarbonate Diffuser (not available on 70 watt fittings)

\* For more details on dimming fluorescent luminaires see page 18  
HFD not available for 70watt lamp